

▶ MEA SERIES MINI LIGHT LIMIT SWITCHES

◆ FEATURES

- Total plastic enclosure, light weight switches.
- Wide choice of heads and actuators.
- Captive cover screws.
- Mode of operation is field adjustable.
- Dustproof, Oil-Tight, Water-Resistant.
- 2 circuits: 1 N.O., 1 N.C. contacts design.
- Tempe. range +5°F to +160°F (-15°C to +70°C).

◆ FIELD ADJUSTABLE

Rotary motion roller lever and rod actuators are adjustable through 360°. They may be set for operation clockwise, counter-clockwise, or in both directions. Operating heads may be positioned in any of four 90° and four 45° positions.

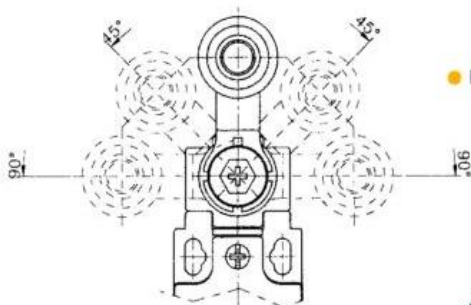
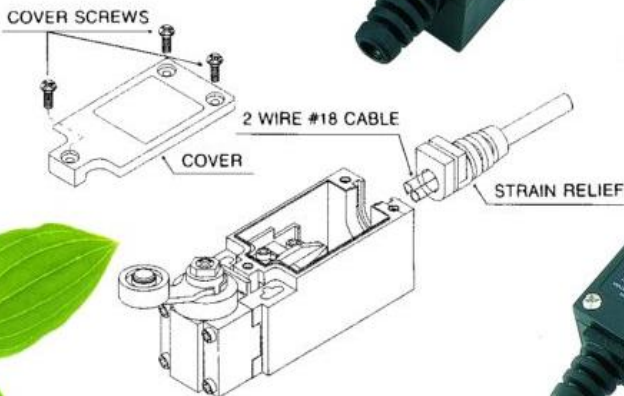
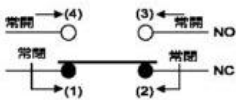
◆ EASY WIRING

1. Loosen cover screws and remove cover.
2. Remove rubber strain relief from switch cover.
3. Slip strain relief cover cable.
4. Fasten terminal screws tightly after inserting cables or terminals.
5. After wiring, insert strain relief into the groove of the switch cover.
6. Fasten 3 cover screws evenly. Do not over tighten.
7. Recommended Cable- # 18/2 SJT Flexible.

◆ RATING

6A	125 or 250V AC
0.4A	125V DC

◆ CIRCUITRY



FIVE OPERATING POSITIONS AVAILABLE



◆ CHARACTERISTICS

Operating speed	0.5mm to 50m/sec
Operating frequency	Mechanically: 120 operations/min. Electrically: 30 operations/min.
Contact resistance	15m Ω max. (initial)
Insulation resistance	100M Ω min. (at 500 V DC)
Dielectric strength	1,000 VAC, 50/60 Hz for 1 minute between non-continuous terminals 1500 VAC, 50/60 Hz for 1 minute between each terminal and non-current carrying metal part and between each terminal and ground
Vibration	Malfunction durability: 10 to 55Hz; 1.5mm double amplitude
Shock	Mechanically durability: Approx. 1,000m/sec ² (approx. 100G's) Malfunction durability: Approx. 300m/sec ² (approx. 30 G's)
Ambient temperature	Operating: -15°C to +70°C
Humidity	95% RH max
Service life	Mechanically: 10,000,000 operations min Electrically: 500,000 operations min.
Degree of protection	IEC 529 class IP65



● MEA-9111



● MEA-9104



● MEA-9108-L



● MEA-9107



● MEA-9111-P



● MEA-9104-L



● MEA-9108

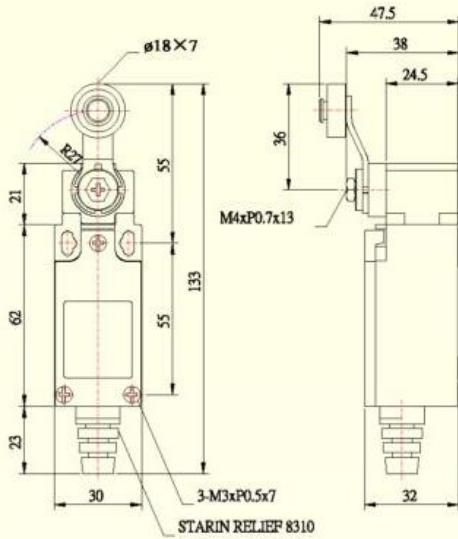


● MEA-9104G

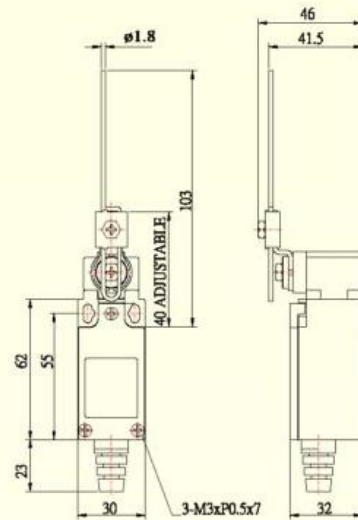
ORDER GUIDE

DIMENSIONS (mm)

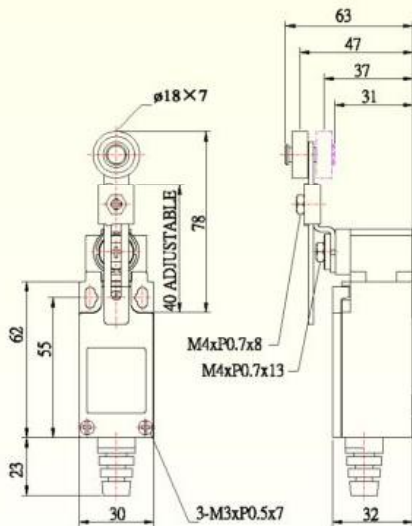
● MEA-9104



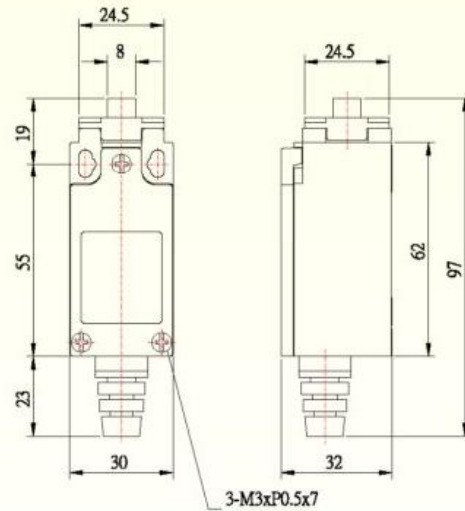
● MEA-9107



● MEA-9108



● MEA-9111



OPERATING CHARACTERISTICS

MEA-9104	
OF MAX	300g
RF MIN	100g
PT MAX	20°
OT MIN	50°
DT MAX	12°
TT MIN	70°

MEA-9108	
OF MAX	100g
RF MIN	40g
PT MAX	20°
OT MIN	50°
DT MAX	12°
TT MIN	70°

MEA-9107	
OF MAX	100g
RF MIN	40g
PT MAX	20°
OT MIN	50°
DT MAX	12°
TT MIN	70°

MEA-9111	
OF MAX	500g
RF MIN	150g
PT MAX	2.0mm
OT MIN	4.0mm
DT MAX	10mm
TT MIN	5mm

▶ MEA SERIES MINI LIGHT LIMIT SWITCHES

◆ ORDER GUIDE

● Standard type:

MEA-9104	MEA-9107	MEA-9108	MEA-9111	MEA-9112
MEA-9122	MEA-9161	MEA-9166	MEA-9169	

● Flat tail (G) type:

MEA-9104G	MEA-9107G	MEA-9108G	MEA-9111G	MEA-9112G
MEA-9122G	MEA-9161G	MEA-9166G	MEA-9169G	

● Ø50mm rubber's roller(Custom made)

MEA-9104-L	MAE-9108-L
------------	------------

● Plastic roller (Custom made):

MEA-9111-P	MEA-9112-P	MEA-9122-P
------------	------------	------------

● Metal head (Custom made):

MEA-9112-Z	MEA-9122-Z
------------	------------

● Pre-Cable type (Custom made):

MEA-9104A-□	MEA-9107A-□	MEA-9108A-□	MEA-9111A-□	MEA-9112A-□
MEA-9122A-□	MEA-9161A-□	MEA-9166A-□	MEA-9169A-□	

* wiring in □ M cable

◆ " G " type: Flat tail.



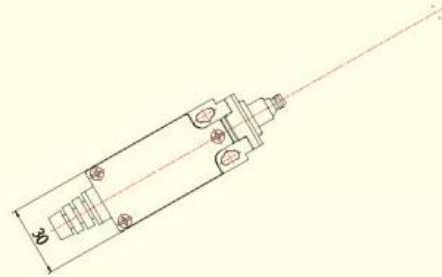
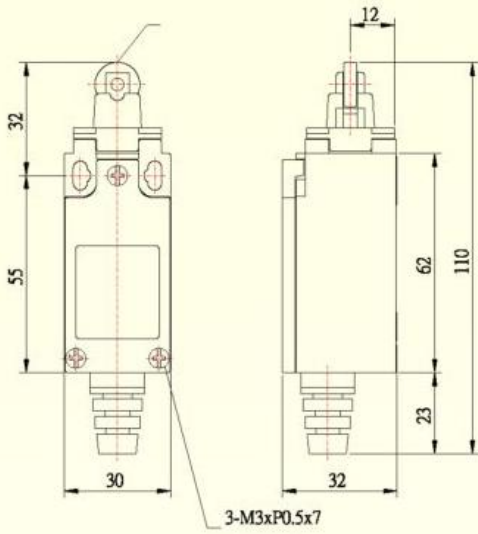
◆ Pre-cable type:



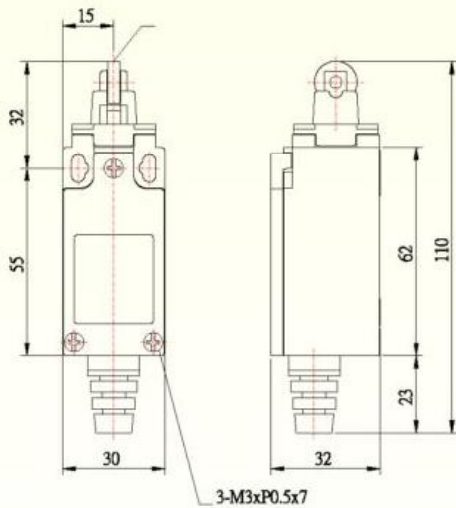
ORDER GUIDE

DIMENSIONS (mm)

ME A-9112



ME A-9122



OPERATING CHARACTERISTICS

	ME A-9112
OF MAX	500g
RF MIN	150g
PT MAX	2.0mm
OT MIN	4.0mm
DT MAX	1.0mm
TT MIN	5mm

	ME A-9161
OF MAX	60g
RF MIN	-
PT MAX	25°
OT MIN	50°
DT MAX	-
TT MIN	70°

	ME A-9169
OF MAX	60g
RF MIN	-
PT MAX	25°
OT MIN	50°
DT MAX	-
TT MIN	70°

	ME A-9122
OF MAX	500g
RF MIN	150g
PT MAX	2.0mm
OT MIN	4.0mm
DT MAX	1.0mm
TT MIN	5mm

	ME A-9166
OF MAX	60g
RF MIN	-
PT MAX	25°
OT MIN	50°
DT MAX	-
TT MIN	70°