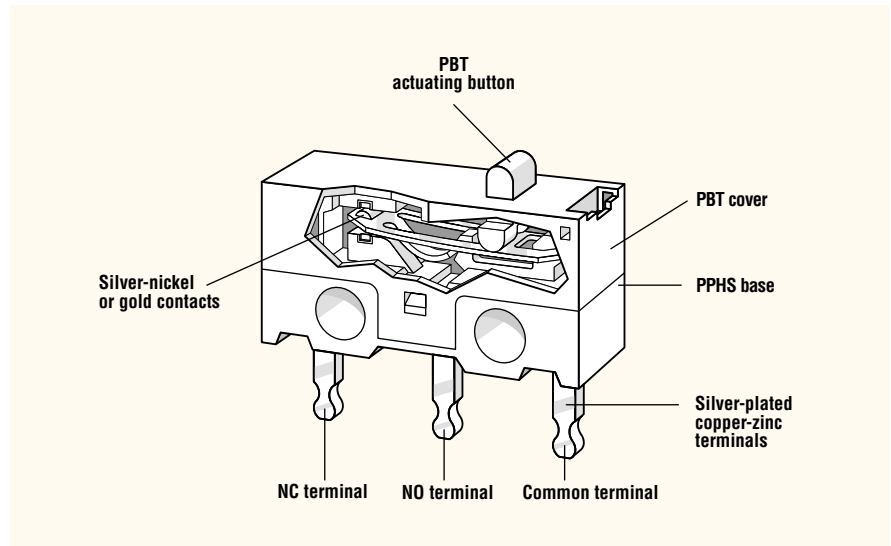


SUBMINIATURE DG Series

Features

- Small dimensions, just 0.504" x 0.228" x 0.256" (12.8mm x 5.8mm x 6.5mm)
- Depending on model, contact rating is suitable for low switched currents and voltages for light-current applications with loads of up to 3 amps 125VAC
- Available with or without auxiliary actuator
- Can be fitted to circuit boards in upright position or horizontally with terminals on left or right
- Mechanical life: min. 1 x 10⁶ operations (depending on model)



Electrical Ratings

Switch Series	EN61058 Rating	UL1054 Rating	Electrical Life at Rated Load According to UL (Min. Operations)
DG1	N/A	3A, 125VAC; 2A, 30VDC	6,000
DG2	N/A	0.05A, 30VDC	6,000
DG4	N/A	1A, 125VAC; 1A, 30VDC	6,000

Specifications

Electrical

Temperature Rating:	-25 °C to +85 °C
Flammability Rating:	UL9V-O

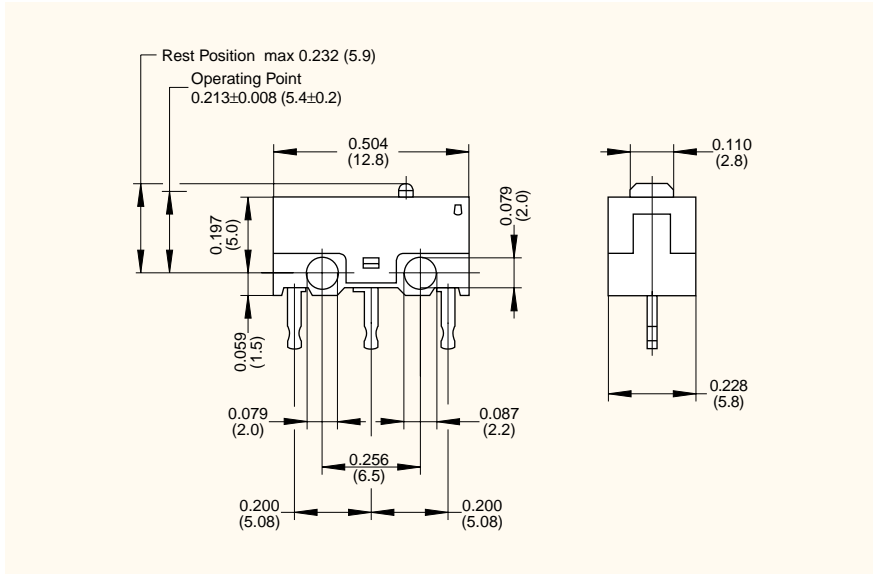
Materials

Base:	PPHS
Cover:	PBT
Actuator:	PBT
Auxiliary Actuator:	Stainless Steel
Terminals:	Silver-Plated Brass
Contacts:	Silver Alloy (DG1, DG4) Gold Flash, Gold (DG2)

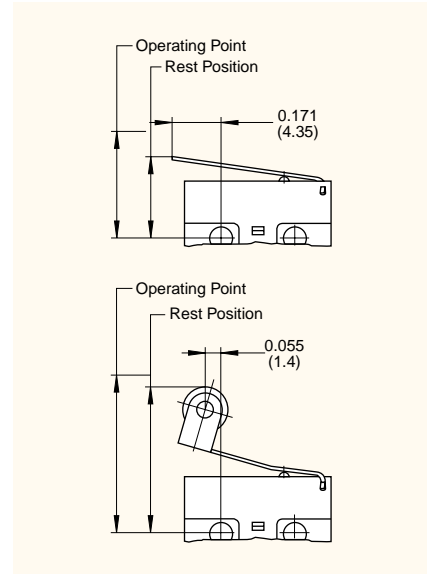
PBT = Polybutyleneterephthalate • PPHS = Polyphenylene sulphide



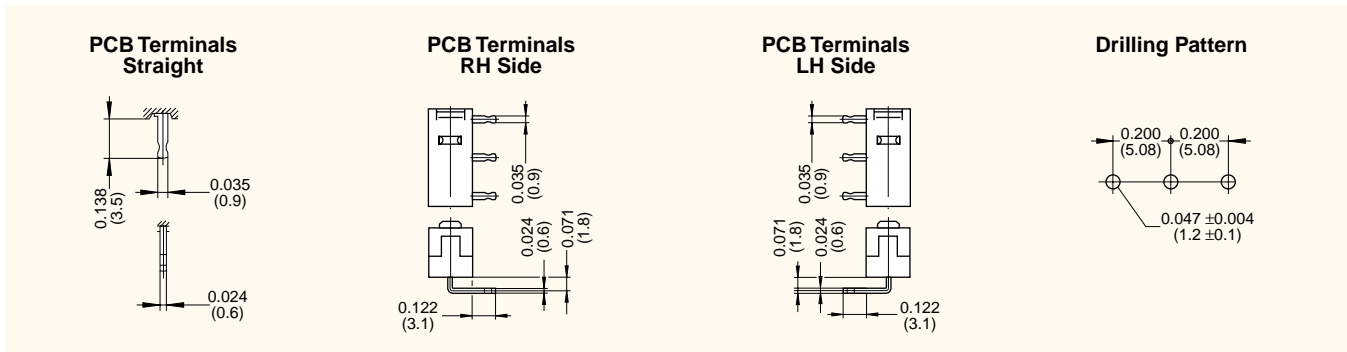
Dimensions inches (mm)



Auxiliary Actuators inches (mm)



Terminal Options inches (mm)



Actuator Specifications

Actuator Type	Switch Type	Maximum Operating Force (gms.)		Maximum Pre-Travel inches (mm)	Operating Point inches (mm)	Maximum Over-Travel inches (mm)	Max. Movement Differential inches (mm)	Max. Rest Position inches (mm)
		DG1, DG2 (B)	DG2, DG4 (C)					
AA		140	75	0.020 (0.51)	0.213±0.008 (5.41±0.20)	0.008 (2.20)	0.007 (0.18)	—
LA		45	30	0.071 (1.80)	0.268+0.031/-0.016 (6.81+0.79/-0.41)	0.022 (0.55)	0.020 (0.51)	0.196 (4.98)
RA		60	35	0.059 (1.50)	0.488±0.020 (12.40±0.51)	0.022 (0.55)	0.020 (0.51)	0.322 (8.18)

Ordering Information

DG Series/Prefix	1 3 Code Contact Configuration 3 SPDT	B Code Button Color/ Operating Force B Grey / 140 grams* C Black / 75 grams**	1 AA Code Actuator Type AA Button (without Auxiliary Actuator) LA Straight Auxiliary Actuator, 0.169" (4.3mm) Long* LB Straight Auxiliary Actuator, 0.500" (12.7mm) Long* LC Straight Auxiliary Actuator, 1.012" (25.7mm) Long* RA Roller Auxiliary Actuator, 0.075" (1.9mm) Long*
----------------------------	--	--	---

Code	Current Rating (UL & CSA)
1	3A, 125VAC; 2A, 30VDC
2	0.05A, 30VDC
4	1A, 125VAC; 1A, 30VDC

Code	Terminal Type
1	PCB, Straight
2	PCB, RH Side
3	PCB, LH Side

*140 gms not available on DG4
**75 gms not available on DG1

Actuator Length →
*Actuator lengths are dimensioned from center line of switch mounting hole.